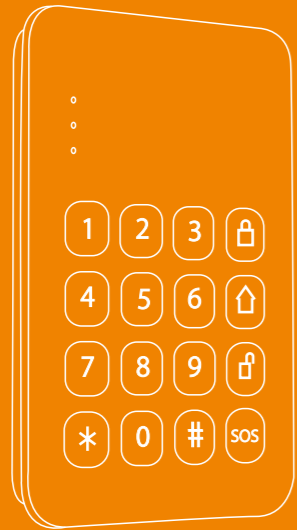


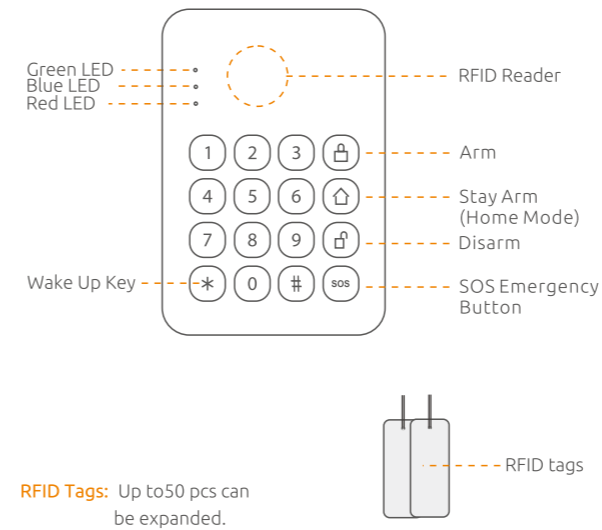
# Alarm Keypad User Manual



## Table of Contents

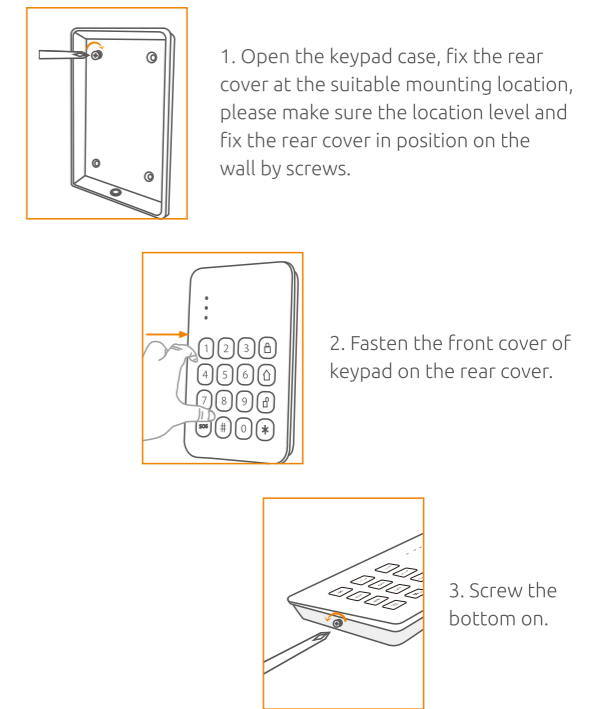
02	Get to Know Your Keypad
02	Parts List
03	Working Status of Keypad
05	Installations
06	Enroll the Keypad to the Control Panel
07	Connecting Electronic Door Lock
08	Add/Delete RFID Tag/Card
09	Digital Keypad Operation
10	Disarm by RFID Tag/Card
10	Settings
11	Programming Code
12	Restore System to Default Settings
13	Maintenance
14	Frequently Asked Question
15	Specification

## Working Status of Keypad



**Green LED Normal On:** Power on  
**Blue LED Flashes Once:** Arm/Stay Arm or Disarm  
**Red LED Flashes Once:** Wrong programming  
**Red LED Flashes Once Every 3 Seconds:** Low battery indication, please replace the batteries.

## Installation



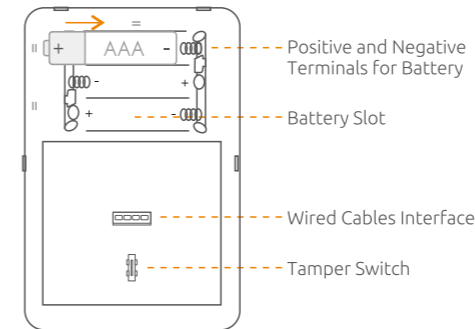
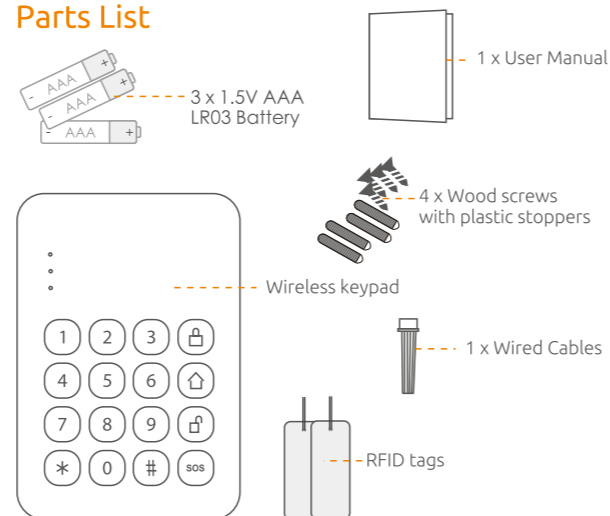
## Specification

Product Name:	Alarm Keypad
Power Supply:	3pcs of 1.5V AAA / LR03 Battery
Standby Current:	≤6μA
Disarm by RFID Current:	≤40mA
Expandable RFID Card/Tags:	50pcs
Housing Material:	ABS plastic
Operation condition:	Temperature: -20°C~55°C Humidity: 80% (non-condensing)
Alarm Keypad Size (L×W×H):	141×96×14.5mm
RFID Cards Size (L×W×H):	18×50×14.5mm

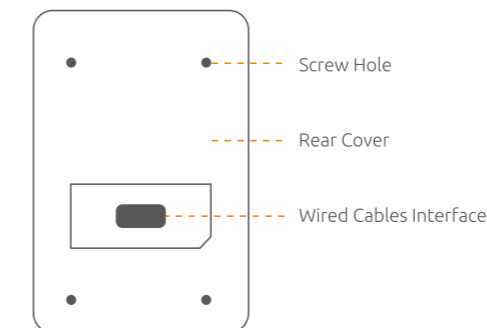
## Get to Know Your System

The remote keypad is used to send commands to the system and to display the current system status via the various coloured lights(LED's). Each keypad will be mounted in convenient locations inside the protected premises, near designated points of entry/exites. Once there's an emergency situation, press the **SOS** panic button. Moreover, the keypad can be connected with an electronic door lock to work as an access control system. RFID tags enable user to disarm the system and open the door at the same time, which is very convenient and suitable for home and office.

## Parts List



**Tamper Switch:** The tamper switch will be activated if case is opened.

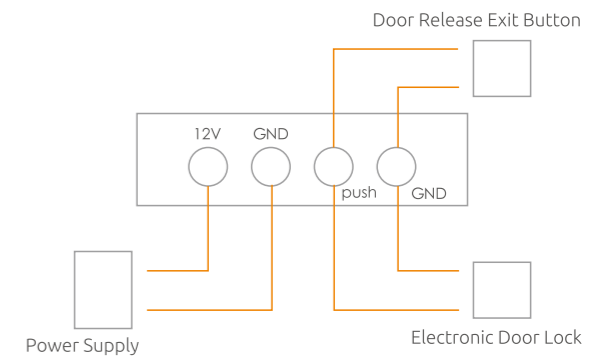


## Enroll the keypad to the control panel

Press enroll button of control panel, the enroll LED light up, press "\*" to activate keypad, and then press "SOS", the connection is successful after 'enroll' LED flashes once and one beep is heard.

**Note!** System will exit automatically after 20 seconds; User can press the enrolling button to exit.

## Connecting Electronic Door Lock



- Connect PUSH and GND of electronic lock, when system is disarmed, door will be opened at the same time.
- Connect PUSH and GND of Door Release Exit Button; User can press the exit button to open the electronic door lock.
- Connect 12V and GND to offer power supply for wireless keypad.

## Add/Delete RFID Tag/Card

### RFID Enrollment (Up to 50 pcs can be expanded)

Press "\*" to activate keypad, then enter "admin password#8", green LED light up; Put RFID tag close to the RFID reader, the enrollment is successful after one beep is heard and blue LED flashes once.



Note! If 2 beeps are heard and red LED flashes twice, it indicates that RFID tag has been enrolled before. RFID tags can be continuously enrolled into keypad within 30 seconds.

### Clearing a RFID Tag

Press "\*" to activate keypad, then enter "admin password#0", red LED light up; Put RFID tag close to the RFID reader, the RFID tag is deleted after blue LED flashes once and one beep is heard.



Note! RFID tags can be continuously deleted within 30 seconds.

7

## Stay Arm (Home Mode)

Press "\*" + "1234" + "Home", the control panel beeps once to enter arming state after 3 seconds. Sensors that are designated in the Stay Zone (Home Mode Zone) are deactivated, allowing you to move freely in your home. The sensors in Normal Zone will remain active and if triggered, will immediately sound the alarm.

### Disarm

Press "\*" + "1234" + "Disarm", the keypad beeps once and control panel beeps twice into disarming state, the electronic door lock will be opened as well (if connected). All sensors will be deactivated.

## Disarm by RFID Tag/Card

In power saving mode, press "\*" to activate keypad. Put RFID tag close to the RFID reader to disarm the system. And the electronic door lock will be opened as the same time.



User can directly put RFID tag close to the RFID reader to disarm the system if system is not in power saving mode.

### Mute Mode

Press "Home" button, then press "Disarm" or "Disarm" within 3 seconds to enter arming or disarming state in mute mode without disturbing someone.

9

## Programming Codes

Function	Press Button	Mark	Factory Default
Quick Arm On	* 1 #	When quick arm function is enabled, users can press *+Home to arm the system without password.	
Quick Arm Off	* 1 *		Default
Touch Tone On	* 2 #		Default
Touch Tone Off	* 2 *	Power saving mode. After touch tone is off, Green LED flashes once when button is pressed.	
RFID Function On	* 3 #		Default
RFID Function Off	* 3 *	Once RFID function is enabled, user cannot disarm the system by the RFID cards.	
Emergency Call with Password	* 4 #	Please enter the password before triggering SOS button.	
Emergency Call without Password	* 4 *	Press SOS button for 3 seconds without password	Default
Normal Working Mode On	* 5 #	If keypad is powered by DC 12V power, normal working mode is recommended. The green LED keeps on. And digital keypad can be operated without pressing activate key. In normal mode, user can disarm the system with RFID cards close to the reader directly	

11

## Maintenance

Keypad requires an adequate maintenance to make sure it works properly and prolong its usage life.

### Regular Check & Forbiddance

1. Make sure the keypad is enrolled into control panel before use.
2. The power supply of keypad should be checked as often as necessary to avoid any transmitting distance caused by lower battery.
3. Check the keypad regularly to ensure the system works properly in case of emergency.
4. Please install the keypad in place where is shading, ventilative and drying.
5. Do not install the keypad at flammable and explosive place.
6. The keypad is made of ABS. Please keep it away from strong light.
7. Do not disassemble the system to avoid causing malfunction or any unnecessary accidents.
8. Please keep away from air conditioner, waver.

### Maintenance

Light dusting or clearing fingerprint with a soft cloth or tissue. Please wipe the surface by a soft cloth with a little dilute alkaline detergent slightly wipe the surface and then wipe again with a dry cloth.

13

## Clearing All RFID Tags

Press "\*" to activate keypad, then enter "admin password#0", red LED light up; Press and hold "0" button up to 3 seconds, all RFID tags are deleted after one long beep is heard.



## Digital Keypad Operation

To activate the keypad, press "\*", then <your password>

Admin password is 123456 as default  
User password is 1234 as default

Note! Press "\*" to activate keypad, no operations within 5 seconds, keypad will exit setup state automatically.

### Arm

Press "\*" + "1234" + "Disarm" or "\*" + "Disarm" to arm (if quick arm function is enabled.) The keypad and control panel beeps once to enter arming state. Any sensors that are triggered will immediately sound the alarm.

8

## SOS Emergency Call

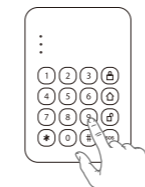
Press and hold the SOS button for 3 seconds in the event of an emergency. This will trigger an immediate alarm even if the alarm system is disarmed.

Note! To avoid any false operation, please enable functions of "Emergency Call with Password" refer to Page9.

## Settings

### Enter Setup State

Press the "\*" key to activate the keypad, and then enter "admin password#9", blue LED light up to enter setup state. Press enter the commands as below to setup. Keypad will be programmed successfully after one beep is heard.



Admin password is 123456 as default



Note! No operation within 30 seconds, keypad will automatically exit setup state. User can press "Disarm", "Home" or "SOS" during programming, keypad beeps twice to exit setup state.

10

Function	Press Button	Mark	Factory Default
Normal Working Mode Off	* 5 *	If keypad is powered by the batteries, power saving mode is recommended. Keypad should be activated by pressing activate key before operating. No operation within 5 seconds, system enters power saving mode.	Default
Disarm System by RFID Card in Mute Mode	* 6 #	Disarm the system without 2 beeps are heard	Default
Disarm System by RFID Card in Sound Mode	* 6 *	2 beeps will be heard when system disarm	
RFID Tag Disarm Only	* 7 #	Hold tag on keypad to disarm only	Default
RFID Tag Arm or Disarm	* 7 *	Hold tag on keypad to arm or disarm	
Change Admin Password	* new password #	6 digits	123456
Change User Password	* new password #	4 digits	1234
Arm Delay	Delay time #	(0-99s)	

## Restore System to Default Settings

Please press the tamper switch up to 5 times, keypad is successfully restored after one long beep is heard.

Note: Restoring operation will not delete the enrolled RFID tags.

12

## Frequently Asked Questions

### 1. Why wireless keypad cannot work?

- A. Please check if the keypad is in low battery or the positive and negative terminals are reversed.
- B. No programming within 30 seconds, the keypad will enter power saving mode, please press "\*" to activate.

### 2. Why wireless keypad cannot connect to control panel?

- A. Make sure the alarm panel is powered on. And confirm wireless keypad had been enrolled to control panel.
- B. Please check whether any metals are nearby to interfere the signal.
- C. The distance between wireless keypad to control panel is 80 meters in open area. It is suggested that the distance should not be too far.

### 3. Why RFID tags cannot disarm the system?

- A. Please check if the RFID tags were enrolled to the keypad, Please refer to Page 12 for operation guide.
- B. Please check the LED indication and to see if system is in power saving mode. Before using the RFID tags to disarm the system, please press "\*" to active first.
- C. Please check if the RFID disarming function is disabled, Please follow the user manual Page 9 to enter setup state and enable the RFID disarming function.

14